

Ultrafast Soft Recovery Dual Rectifier Diode

PRODUCT APPLICATIONS

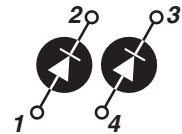
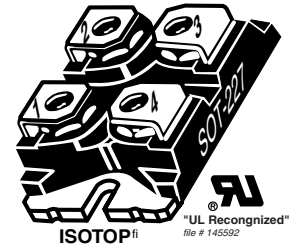
- Anti-Parallel Diode
 - Switchmode Power Supply
 - Inverters
- Free Wheeling Diode
 - Motor Controllers
 - Converters
- Snubber Diode
- Uninterruptible Power Supply
- Induction Heating
- High Speed Rectifiers

PRODUCT FEATURES

- Ultrafast Recovery Times (t_{rr})
- Soft Recovery Characteristics
- Low Forward Voltage
- Low Forward Voltage
- High Blocking Voltage
- Low Leakage Current

PRODUCT BENEFITS

- Low Losses
- Low Noise Switching
- Cooler Operation
- Higher Reliability Systems
- Increased System Power Density


APT2X101DL40J

MAXIMUM RATINGS

All Ratings per Diode: $T_C = 25^\circ\text{C}$ unless otherwise specified.

Symbol	Characteristic / Test Conditions	Ratings	Unit
V_R	Maximum D.C. Reverse Voltage	400	Volts
V_{RRM}	Maximum Peak Repetitive Reverse Voltage		
V_{RWM}	Maximum Working Peak Reverse Voltage		
$I_{F(AV)}$	Maximum Average Forward current ($T_C = 127^\circ\text{C}$, Duty Cycle = 0.5)	100	Amps
$I_{F(RMS)}$	RMS Forward Current (Square wave, 50% duty)	204	
I_{FSM}	Non-Repetitive Forward Surge Current ($T_J = 45^\circ\text{C}$, 8.3 ms)	1000	
T_J, T_{STG}	Operating and Storage Junction Temperature Range	-55 to 175	$^\circ\text{C}$

STATIC ELECTRICAL CHARACTERISTICS

Symbol	Characteristic / Test Conditions	Min	Typ	Max	Unit	
V_F	Forward Voltage		$I_F = 100\text{A}$	1.0	1.125	Volts
			$I_F = 150\text{A}$	1.1		
			$I_F = 200\text{A}$	1.2		
			$I_F = 100\text{A}, T_J = 150^\circ\text{C}$.95
I_{RM}	Maximum Reverse Leakage Current		$V_R = 400\text{V}$		500	μA
			$V_R = 400\text{V}, T_J = 125^\circ\text{C}$		1000	
C_T	Junction Capacitance, $V_R = 200\text{V}$		215		pF	
L_S	Series Inductance _Lead to Lead 5mm from Base)		10		nH	

DYNAMIC CHARACTERISTICS

APT2X101DL40J

Symbol	Characteristic / Test Conditions	Min	Typ	Max	Unit
t_{rr}	Reverse Recovery Time $I_F = 1A, di_F/dt = -100A/\mu s, V_R = 30V, T_J = 25^\circ C$		40		ns
t_{rr}	Reverse Recovery Time		120		
Q_{rr}	Reverse Recovery Charge		830		nC
I_{RRM}	Maximum Reverse Recovery Current		13		Amps
t_{rr}	Reverse Recovery Time		240		ns
Q_{rr}	Reverse Recovery Charge		3500		nC
I_{RRM}	Maximum Reverse Recovery Current		25		Amps
t_{rr}	Reverse Recovery Time		160		ns
Q_{rr}	Reverse Recovery Charge		6600		nC
I_{RRM}	Maximum Reverse Recovery Current		76		Amps

THERMAL AND MECHANICAL CHARACTERISTICS

Symbol	Characteristic / Test Conditions	Min	Typ	Max	Unit
$R_{\theta JC}$	Junction-to-Case Thermal Resistance			0.42	$^\circ C/W$
$R_{\theta JA}$	Junction-to-Ambient Thermal Resistance			20	
W_T	Package Weight		1.03		oz
			29.2		g
Torque	Maximum Mounting Torque			10	lb-in
				1.1	N-m

Microsemi reserves the right to change, without notice, the specifications and information contained herein.

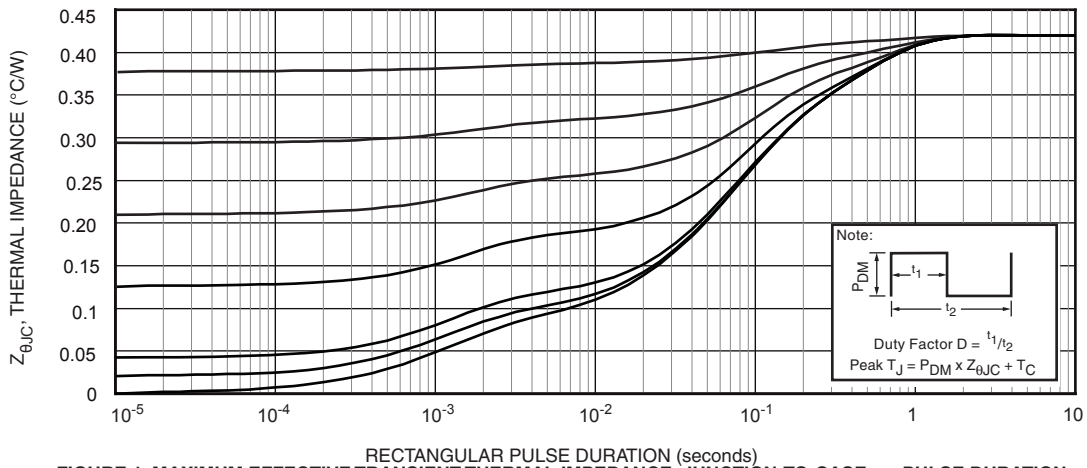


FIGURE 1. MAXIMUM EFFECTIVE TRANSIENT THERMAL IMPEDANCE, JUNCTION-TO-CASE vs. PULSE DURATION

TYPICAL PERFORMANCE CURVES

APT2X101DL40J

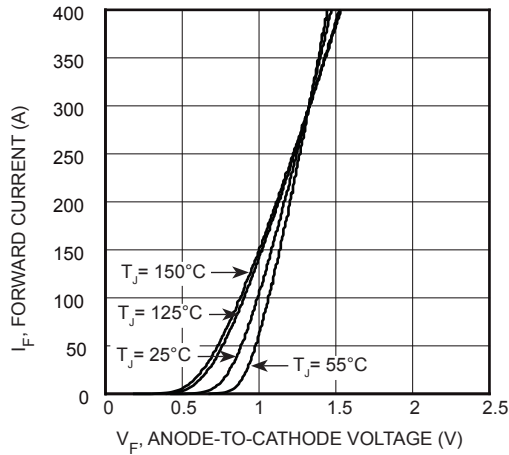


FIGURE 2, Forward Current vs. Forward Voltage

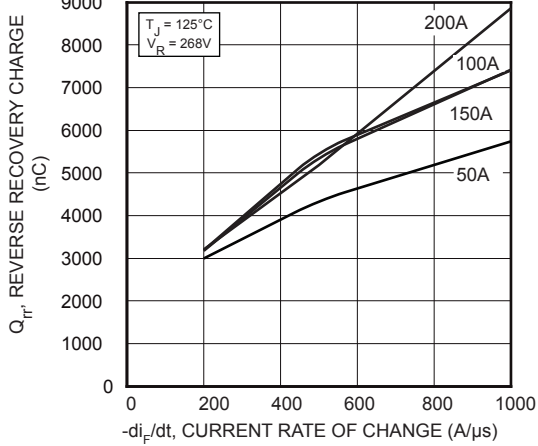


FIGURE 4, Reverse Recovery Charge vs. Current Rate of Change

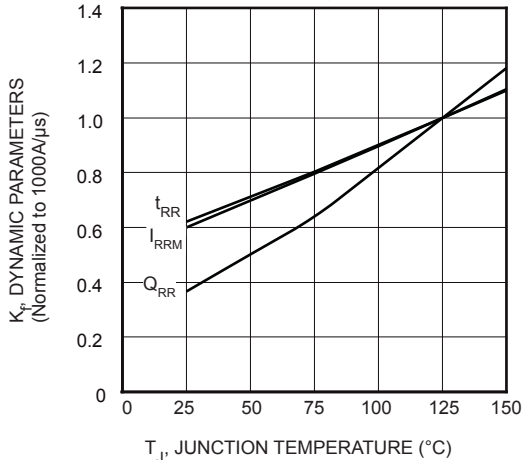


FIGURE 6, Dynamic Parameters vs. Junction Temperature

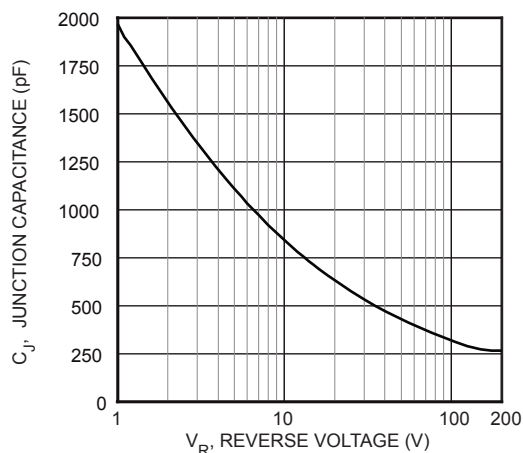


FIGURE 8, Junction Capacitance vs. Reverse Voltage

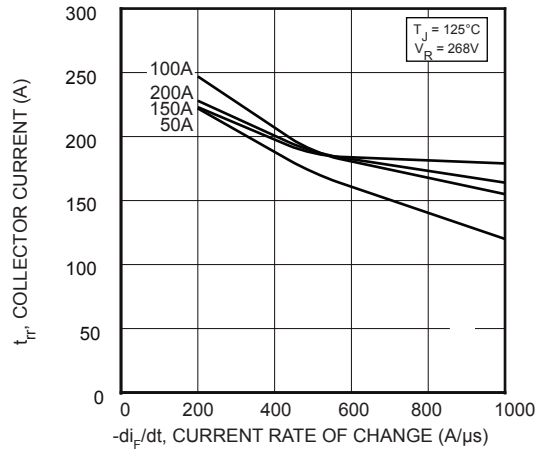


FIGURE 3, Reverse Recovery Time vs. Current Rate of Change

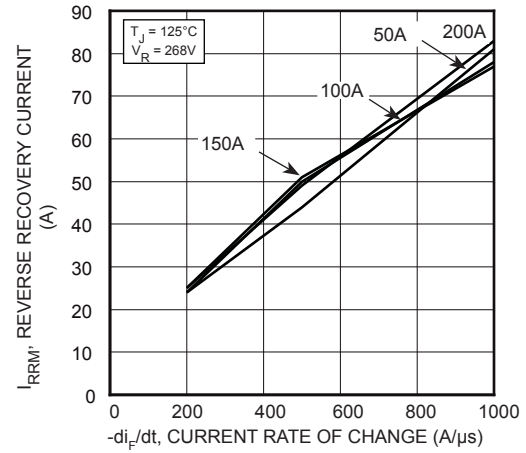


FIGURE 5, Reverse Recovery Current vs. Current Rate of Change

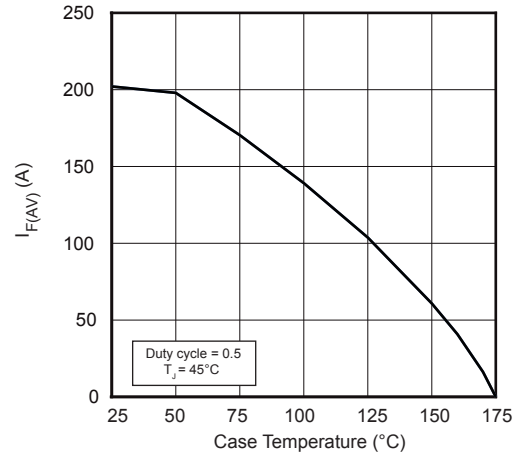


FIGURE 7, Maximum Average Forward Current vs. Case Temperature

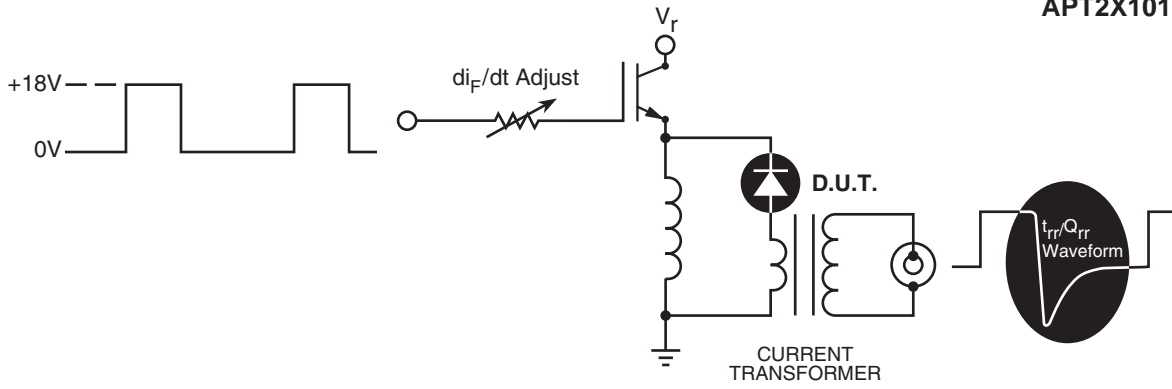


Figure 9. Diode Test Circuit

- 1 I_F - Forward Conduction Current
- 2 di_F/dt - Rate of Diode Current Change Through Zero Crossing.
- 3 I_{RRM} - Maximum Reverse Recovery Current.
- 4 t_{rr} - Reverse Recovery Time, measured from zero crossing where diode current goes from positive to negative, to the point at which the straight line through I_{RRM} and $0.25 \cdot I_{RRM}$ passes through zero.
- 5 Q_{rr} - Area Under the Curve Defined by I_{RRM} and t_{rr} .
- 6 di_M/dt - Maximum Rate of Current Increase During the Trailing Portion of t_{rr} .

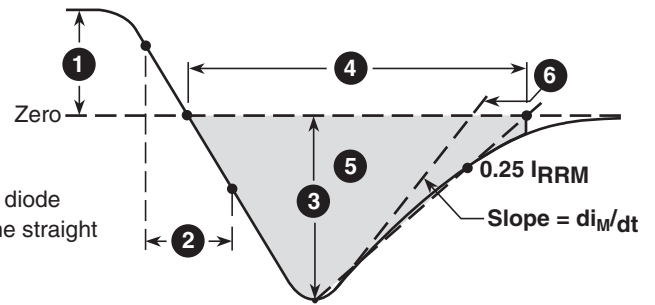
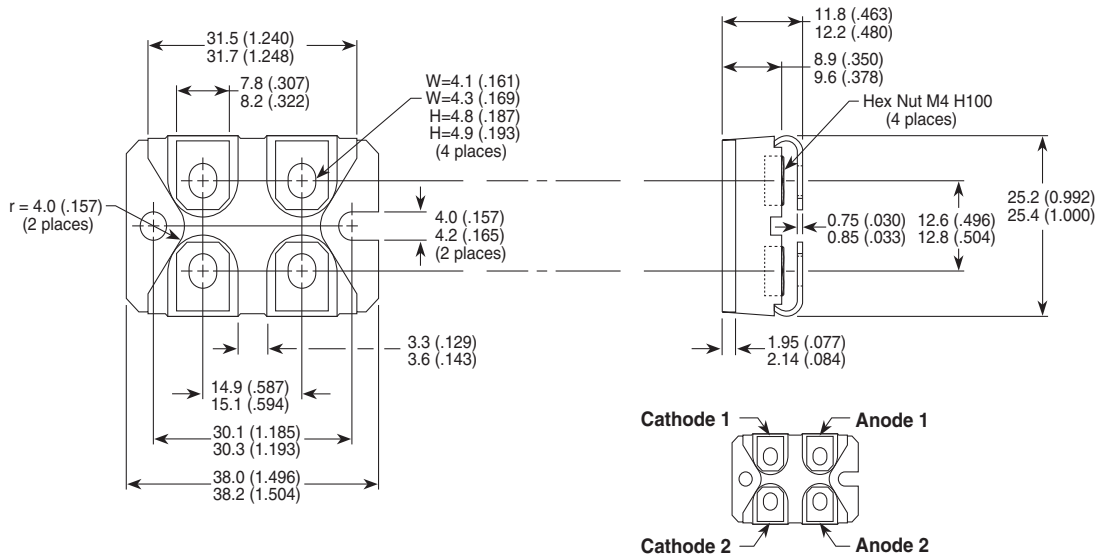


Figure 10, Diode Reverse Recovery Waveform and Definitions

SOT-227 (ISOTOP®) Package Outline



Dimensions in Millimeters and (Inches)